

**SPECIFICATION**

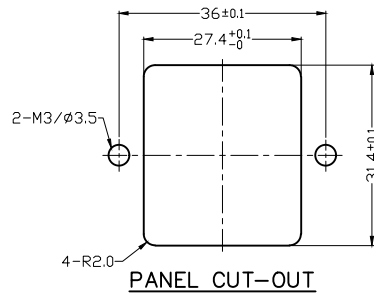
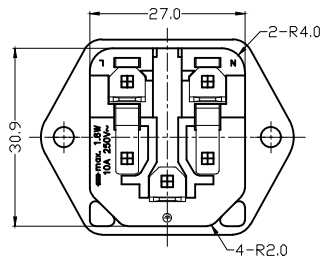
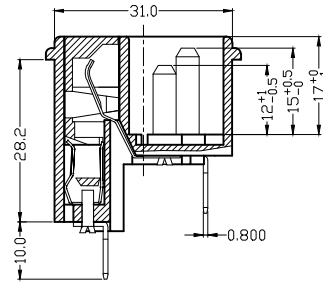
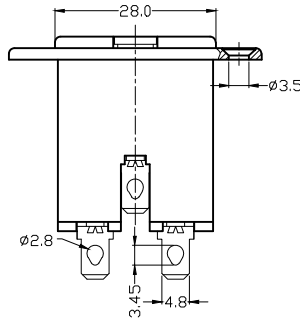
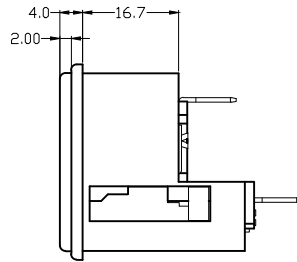
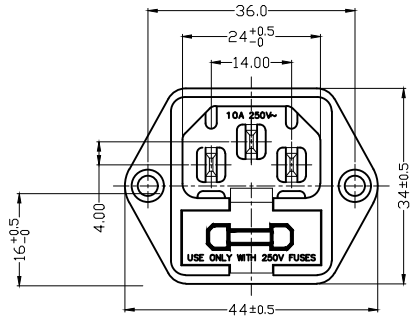
**A: MATERIAL:**

- 1. HOUSING: NYLON 66 FLAMMABILITY, UL 94V-0
- 2. TERMINAL: COPPER ALLOY, TIN PLATED

**B: CHARACTERISTICS:**

- 1. RATING: 10A 250V~ NORTH AMERICA & EUROPE
- 2. INSULATION RESISTANCE: 100 MΩ MIN, AT 500 VDC
- 3. ELECTRIC STRENGTH: AC 2,000 V FOR 1 MINUTE

**C: APPROVALS:**   



RoHS  
COMPLIANT

**Power Dynamics, Inc.**

Phone: 973 560-0019 Whippany, New Jersey Fax: 973 560-0076

**PART: IEC 60320 C14 APPLIANCE INLET; 2 FUSE  
FLANGE MOUNT; 4.8mm QC TERMINALS**

TOLERANCE UNLESS OTHERWISE SPECIFIED	
X	± 1
X.X	± 0.4
X.XX	± 0.20
DRAWN BY	PB
DATE:	9/15/21
CHECK BY	-
DATE:	-
APPR BY	-
DATE:	-

PART #: <b>42R35A-1111</b>		SHEET
SIZE: A	ALL DIMENSIONS FOR REFERENCE ONLY	1 of 1
SCALE: NTS	REF MODEL: 0717-2	REV: -

REVISIONS	CHANGE	CHK	APPR
	REV	DATE	